



Backdraft dampers with spring

VRV

for round ducts

Use

- For automatic shut-off of the air ducts and prevention of back drafting when the fan is off. Suitable for installation in various premises.
- Compatible with \varnothing 100 up to 315 mm round air ducts.

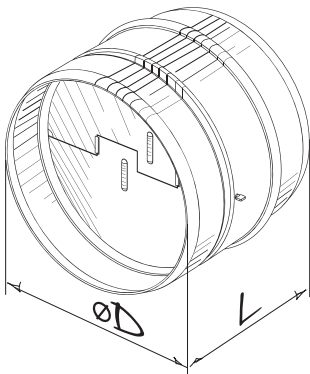
Design

- Galvanized steel case.
- Two spring-loaded blades made of aluminium.
- Blades are opened by air pressure and are closed with a spring.

Mounting

- Fixing to round ducts with clamps.
- Provide vertical position of blade axis.
- Install the backdraft damper into the ventilation system with respect to the air flow direction.

Overall dimensions



Type	Dimensions [mm]		Weight [kg]
	$\varnothing D$	L	
VRV 100	99	80	0.18
VRV 125	124	100	0.27
VRV 150	149	115	0.38
VRV 160	159	120	0.42
VRV 200	199	145	0.63
VRV 250	249	165	0.90
VRV 315	314	190	1.31

