

CONTROL PANEL WITH A SENSOR DISPLAY



S14
S15

EN

USER'S MANUAL



BLAUBERG
Ventilatoren

CONTENTS

Safety requirements.....	2
Purpose.....	3
Delivery set.....	3
Technical data.....	4
Installation and connection.....	4
Control.....	6

This user's manual is a main operating document intended for technical, maintenance, and operating staff.

The manual contains information about purpose, technical details, operating principle, design, and installation of the S14/S15 unit and all its modifications.

Technical and maintenance staff must have theoretical and practical training in the field of ventilation systems and should be able to work in accordance with workplace safety rules as well as construction norms and standards applicable in the territory of the country.

The information in this user's manual is correct at the time of the document's preparation.

The Company reserves the right to modify the technical characteristics, design, or configuration of its products at any time in order to incorporate the latest technological developments.

No part of this publication may be reproduced, stored in a retrieval system, or transmitted, in any form or by any means in any information search system or translated into any language in any form without the prior written permission of the Company.

SAFETY REQUIREMENTS

- Please read the user's manual carefully prior to installing and operating the unit.
- All user's manual requirements as well as the provisions of all the applicable local and national construction, electrical, and technical norms and standards must be observed when installing and operating the unit.
- The warnings contained in the user's manual must be considered most seriously since they contain vital personal safety information.
- Failure to follow the rules and safety precautions noted in this user's manual may result in an injury or unit damage.
- After a careful reading of the manual, keep it for the entire service life of the unit.
- While transferring the unit control, the user's manual must be turned over to the receiving operator.

UNIT INSTALLATION AND OPERATION SAFETY PRECAUTIONS



- Disconnect the unit from power mains prior to any installation operations.



- Unpack the unit with care.



- The unit must be grounded!



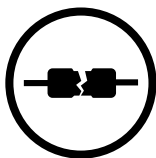
- While installing the unit, follow the safety regulations specific to the use of electric tools.



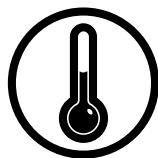
- Do not change the power cable length at your own discretion. Do not bend the power cable. Avoid damaging the power cable. Do not put any foreign objects on the power cable.



- Do not lay the power cable of the unit in close proximity to heating equipment.



- Do not use damaged equipment or cables when connecting the unit to power mains.



- Do not operate the unit outside the temperature range stated in the user's manual. Do not operate the unit in aggressive or explosive environments.



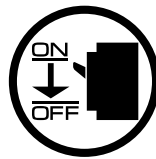
- Do not touch the unit controls with wet hands. Do not carry out the installation and maintenance operations with wet hands.



- Do not wash the unit with water. Protect the electric parts of the unit against ingress of water.



- Do not allow children to operate the unit.



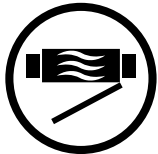
- Disconnect the unit from power mains prior to any technical maintenance.



- Do not store any explosive or highly flammable substances in close proximity to the unit.



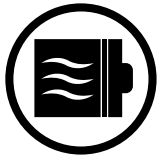
- When the unit generates unusual sounds, odour, or emits smoke, disconnect it from power supply and contact the Seller.



- Do not open the unit during operation.



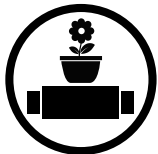
- Do not direct the air flow produced by the unit towards open flame or ignition sources.



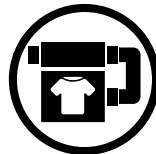
- Do not block the air duct when the unit is switched on.



- In case of continuous operation of the unit, periodically check the security of mounting.



- Do not sit on the unit and avoid placing foreign objects on it.



- Use the unit only for its intended purpose.



**THE PRODUCT MUST BE DISPOSED SEPARATELY AT THE END OF ITS SERVICE LIFE.
DO NOT DISPOSE THE UNIT AS UNSORTED MUNICIPAL WASTE.**

PURPOSE

The wall control panel with a sensor display is designed for controlling industrial and domestic supply and exhaust ventilation units as well as other air handling units.



**THE UNIT SHOULD NOT BE OPERATED BY CHILDREN OR PERSONS WITH REDUCED PHYSICAL, MENTAL, OR SENSORY CAPACITIES, OR THOSE WITHOUT THE APPROPRIATE TRAINING. THE UNIT MUST BE INSTALLED AND CONNECTED ONLY BY PROPERLY QUALIFIED PERSONNEL AFTER THE APPROPRIATE BRIEFING.
THE CHOICE OF UNIT INSTALLATION LOCATION MUST PREVENT UNAUTHORIZED ACCESS BY UNATTENDED CHILDREN.**

The control panel is not designed for standalone operation.
It is rated for continuous operation.

DELIVERY SET

NAME

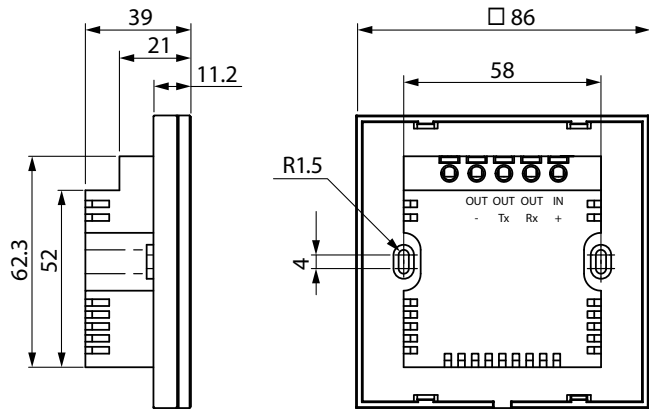
Control panel
Mounting box for wall surface mounting
Mounting box for wall flush mounting
User's manual
Packing

NUMBER

1 pc.
1 pc.
1 pc.
1 pc.
1 pc.

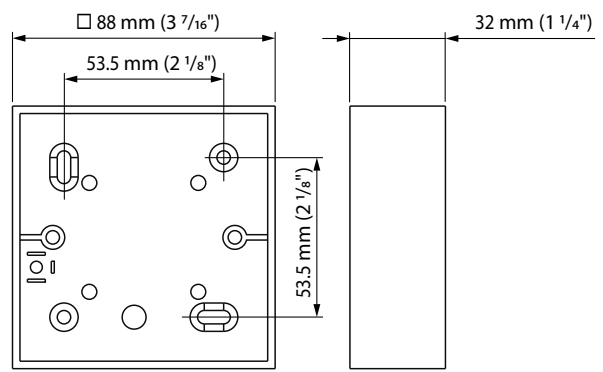
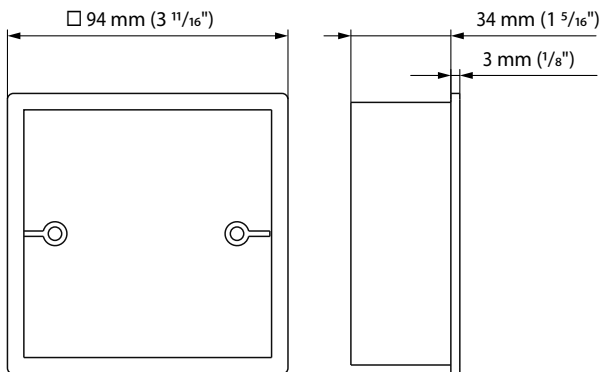
TECHNICAL DATA

Supply voltage, 50 (60) Hz [V]	8-30
Temperature range [°C]	from 0 up to +45
Humidity range [%]	5-80 (without condensation)
Casing material	Plastic
Sensor surface material	Glass
Electrical protection class	IP30
Weight [g]	190




Mounting box for wall flush mounting


Mounting box for wall surface mounting



INSTALLATION AND CONNECTION

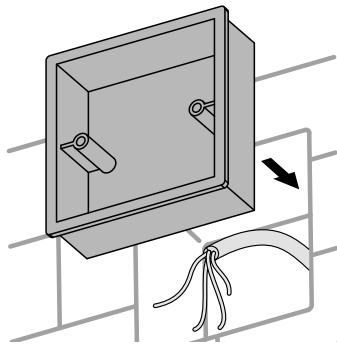
 **DISCONNECT THE CONTROL PANEL FROM POWER MAINS PRIOR TO ANY OPERATIONS.**

 **THE CONTROL PANEL MUST BE INSTALLED BY A QUALIFIED EXPERT ONLY, PROPERLY TRAINED AND HAVING THE REQUIRED TOOLS AND MATERIALS.**

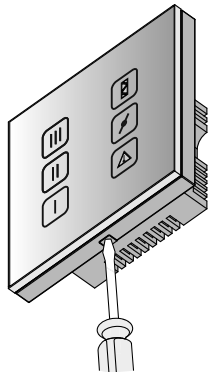
 **DO NOT MOUNT THE UNIT ON UNEVEN SURFACE. WHILE TIGHTENING THE SCREWS DO NOT APPLY EXCESSIVE FORCE TO PREVENT UNIT CASING DEFORMATION.**

CONTROL PANEL WALL FLUSH MOUNTING

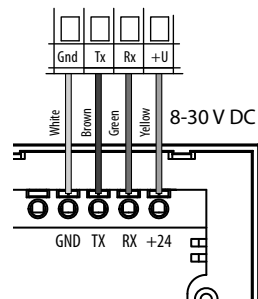
1. Prepare a hole in the wall and route all the wires to the installation place. Insert the supplied mounting box for flush wall mounting.



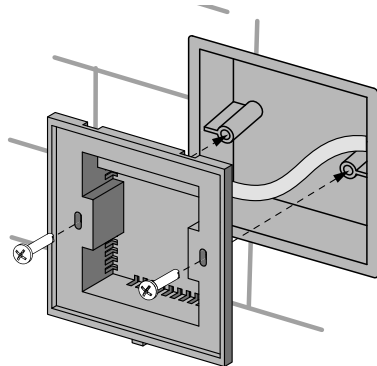
2. Use a screwdriver to carefully undo the clips on the bottom edge of the control panel and remove the screen from the casing.



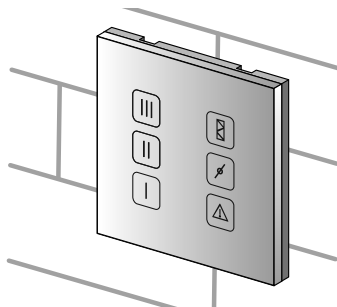
3. Connect the control panel to the unit as shown in the wiring diagram.



4. Screw the casing to the mounting box through the fastening holes. Fastening screws for control panel mounting are included in the control panel delivery set.

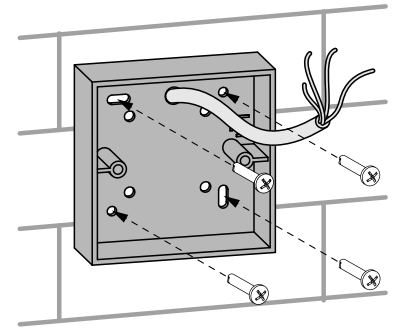


5. Fix the screen on the casing by pulling it until it is latched.

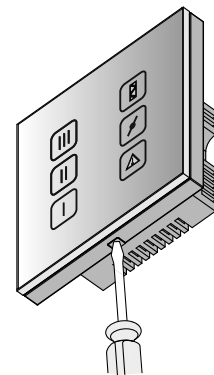


CONTROL PANEL WALL SURFACE MOUNTING

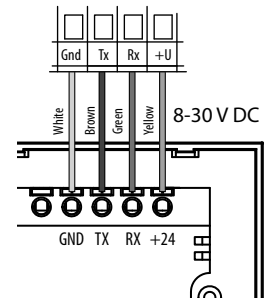
1. Route the required wires and cables to the control panel installation place. Drill the fastening holes in the wall and install the mounting box. Fasteners are not included in the delivery set and can be ordered separately.



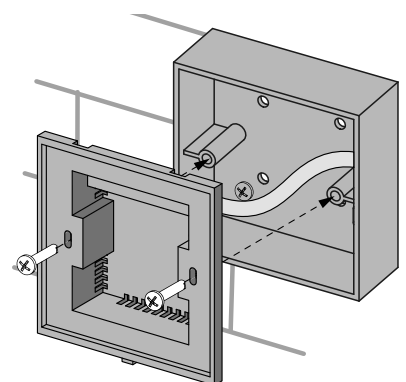
2. Use a screwdriver to carefully undo the clips on the bottom edge of the control panel and remove the back cover.



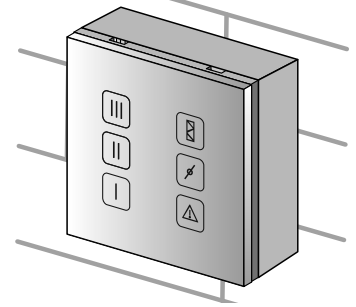
3. Connect the control panel to the terminal block as shown in the wiring diagram.



4. Fix the back side of the casing to the junction box through the mounting holes with screws. Fastening screws for mounting of the control panel are included in the control panel delivery set.



5. Fix the screen on the casing by pulling it until it is latched.



CONTROL

The unit is operated from the wall-mounted control panel by using the touch buttons.

The activated button is highlighted.

The signal from the control panel is sent to the control unit and the unit starts operation with a set operation mode.

WARNING!

The control panel must be fixed on a surface in operational position!

The control panel should be connected to a power supply only when all of the following conditions have been met:

- the panel casing is mounted on the work surface
- all necessary connections have been carried out
- the sensor display is fixed to the casing

Initialization of the control panel followed by triple blinking of all the buttons will occur after connection to a power supply.

WARNING!

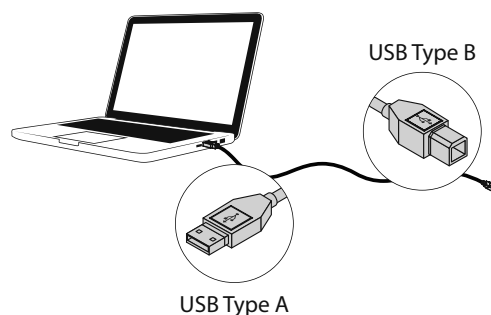
- Do not switch the buttons on the unsecured panel to avoid false speed switching!
- Pressing the buttons quickly and shortly may result in malfunction of the unit!
- Try to practise a firm press on the interface buttons with your finger cushion as the touch-sensitive panel is less sensitive compared to a typical mobile phone or tablet screen.
- Press the button precisely in the desired sector of the control panel to switch the speed.

Operation using software

CAUTION!

Setting, troubleshooting and upgrading of the software version is made by the service technician.

To work with the pre-installed software connect the unit to a laptop or to a PC via a USB cable with the Type A and Type B contact sockets. The USB cable is not included in the delivery set.



The software enables editing the unit parameters:

Parameter	Factory setting	Control range
Zero speed (the unit is off) [%]	0	0 - 100
Low speed [%]	40	0 - 100
Medium speed [%]	70	0 - 100
High speed [%]	100	0 - 100
Unit speed when the dry contact of the external control unit is closed [%]	100	0 - 100
Filter cleaning (replacement) interval [h]	2160 (3 months)	0 - 10000
Humidity level [%]	60	30 - 80

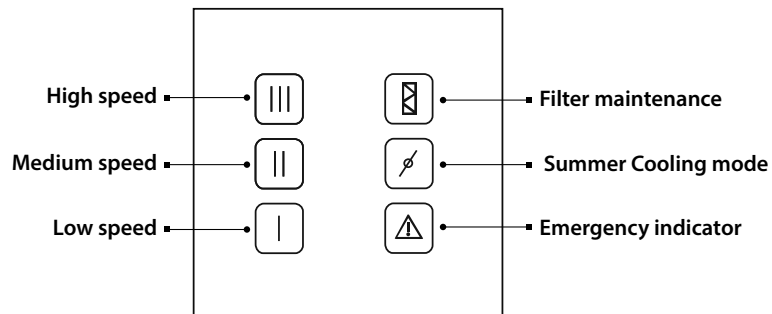
The list of the adjustable parameters can be expanded in new versions of the software.

Setting, troubleshooting and upgrading of the software version is made by the service technician.

To download the software follow the link <https://blaubergventilatoren.de/en/download>.

Select the document type "Software" and then using the search bar find the software for the automation S14/S15. Download the software file.

Control panel buttons indication and functions



Control panel indication when the unit is off

The touch buttons on the control panel are not highlighted.

The filter maintenance indicator and emergency indicator are highlighted in the respective cases.

Turning the unit on

Press one of three speed setting buttons.

The selected button will be highlighted and the unit switches to the required speed.



Speed selection

Press the inactive speed setting button once.

The button will be highlighted and the unit will switch to the selected speed..



Turning the unit off

To turn the unit off press the highlighted speed button.

Summer Cooling mode

Press the button once.

When the mode is activated, the button is illuminated.

Units with bypass – the bypass damper opens. Units without bypass – the supply fan is switched off.

Each time a touch button is pressed, the current unit status is changed and saved in the control panel memory.



Filter maintenance

As the unit reaches the set value of operating hours, the touch button is highlighted to remind about filter cleaning or replacement.

To reset the motor meter after replacement or cleaning of the filters press and hold the filter replacement indicator for 5 seconds.

After resetting the motor meter the filter replacement indicator goes down. When customizing the timer software for setting the number of hours refer to the Filter maintenance section.



Alarm

In case of alarm, the alarm indicator is highlighted.





BLAUBERG
Ventilatoren

