

S22 / S22 WiFi

Control panels

Features

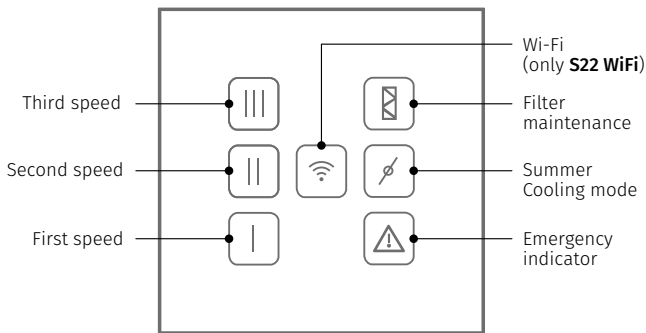
- o The **S22 / S22 WiFi** control panels are used for control of industrial and domestic air handling units with an **S21** automation system.



Design

- o Casing made of high-quality plastic.
- o Glass sensor operating panel with touch buttons with light indication.
- o IP40 ingress protection rating.

Control panel functions



Installation and connection

- o The **S22 / S22 WiFi** control panels are suitable for wall flush and wall surface mounting.
- o Connection of the control panel is carried out according to the User's manual of the unit.

Technical data

Parameters	S22	S22 WiFi
Voltage [V]	24	110-230/50 (60) Hz
Maximum current [A]	0.025	0.012
Cable type [mm ²]	4x0.25	2x0.35
Temperature range [°C]	+10...+45	+10...+45
Humidity range [%]	10-80 (no condensation)	10-80 (no condensation)
Casing material	Plastic	Plastic
Sensor surface material	Glass	Glass
SEC class	IP40	IP40
Weight [g]	190	190
Wi-Fi data		
Standard	-	IEEE 802.11 b/g/n
Frequency band [GHz]	-	2.4
Transmission power [mW] (dBm)	-	100 (+20)
Network	-	DHCP
WLAN safety	-	WPA, WPA2

Overall dimensions [mm]

