



## OUTER VENTILATION HOOD



**AH-10 100**

**AH-10 125**

**AH-10 160**

**EN**

**USER'S MANUAL**



**BLAUBERG**  
Ventilatoren



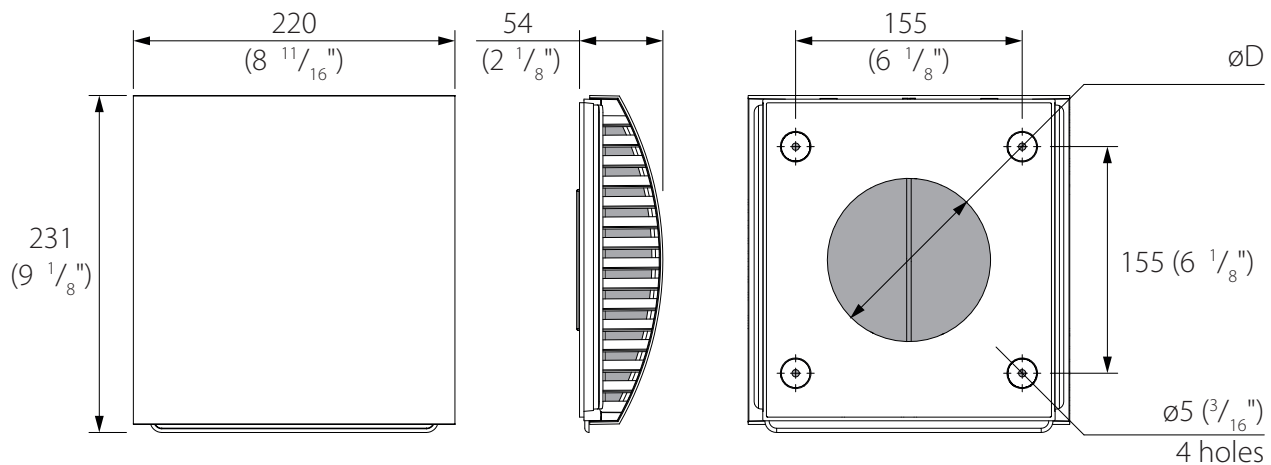
### PURPOSE

The outer ventilation hood is designed to prevent ingress of water and foreign objects into the ventilation equipment from outside.



**THE UNIT SHOULD NOT BE OPERATED BY CHILDREN OR PERSONS WITH REDUCED PHYSICAL, MENTAL, OR SENSORY CAPACITIES, OR THOSE WITHOUT THE APPROPRIATE TRAINING. THE UNIT MUST BE INSTALLED AND CONNECTED ONLY BY PROPERLY QUALIFIED PERSONNEL AFTER THE APPROPRIATE BRIEFING. THE CHOICE OF UNIT INSTALLATION LOCATION MUST PREVENT UNAUTHORIZED ACCESS BY UNATTENDED CHILDREN.**

### OVERALL DIMENTIONS

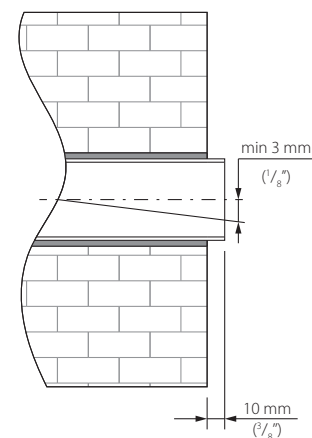


Model	D, mm (inch)
AH-10 100	106 (4 3/16)
AH-10 125	132 (5 3/16)
AH-10 160	164 (6 7/16)

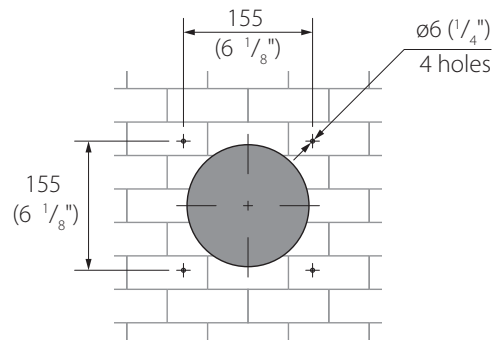
### OUTER VENTILATION HOOD MOUNTING

1. Insert the air duct from indoor to protrude from outside on the outer wall surface.  
Cut the air duct excess and a stream spreader with a hack saw or with any other suitable tool.

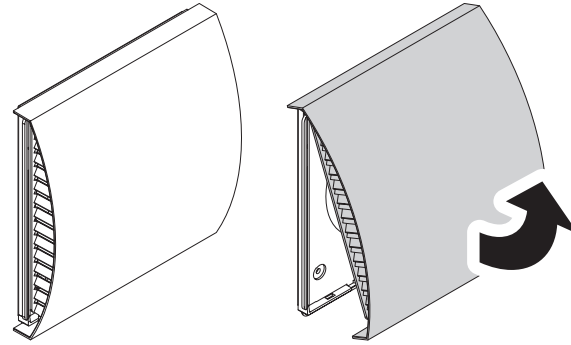
**WARNING! If the mounting place is located at high altitude please refer to a mounting company possessing an appropriate mounting equipment!**



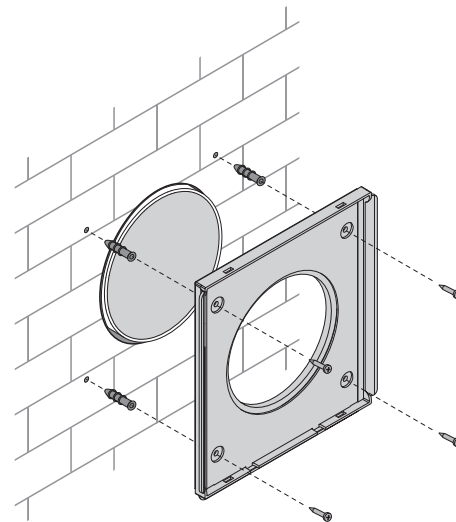
2. Mark the fastening holes for the outer ventilation hood and drill 4 holes, 50 mm deep to suit the expansion anchors (6x40).  
Use the back wall of the ventilation hood to facilitate the marking.



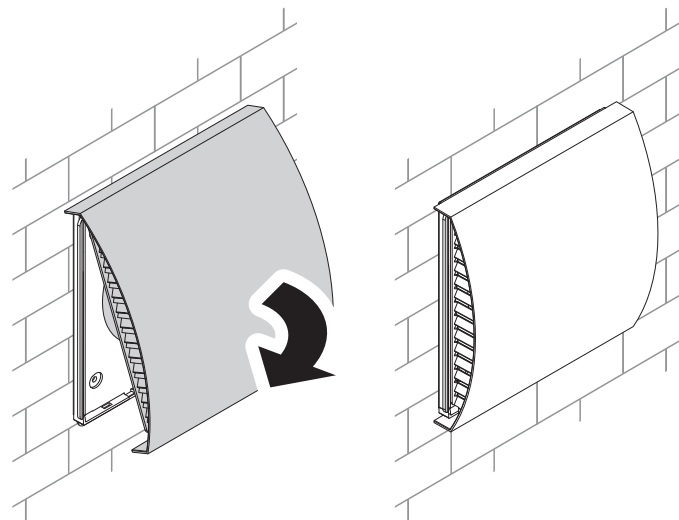
3. Insert the supplied expansion anchors 6x40 into the holes.  
Disassemble the outer ventilation hood to enable access to the fastening holes.  
Pull the front part below toward you.



4. Fix the back wall of the ventilation hood on the wall using the supplied screws 4x40.



5. Cover the ventilation hood with the front part.





[www.blaubeergventilatoren.de](http://www.blaubeergventilatoren.de)  
B113-8EN-01

