



NEW

VSR 100

VSR 125

VSR 150

Use

- Air disc valves for supply and exhaust ventilation
- For correct air flow distribution in premises

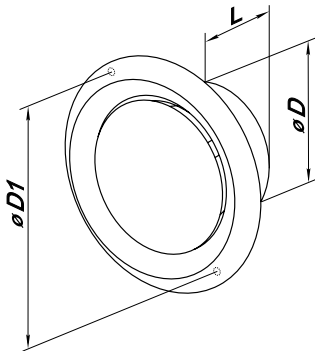
Application

- Residential premises
- Flats, cottages
- Offices
- Utility spaces
- Trade premises
- Restaurants
- Health care facilities
- Child care facilities

Features

- Ceiling or wall mounting
- Smooth air flow control
- Easy mounting with a mounting flange
- Equipped with a sealing ring
- Made of stainless steel

Overall and mounting dimensions



Model	Dimensions [mm]			Air pass [m ²]
	D	D1	L	
VSR 100	97	118	52	0.0032
VSR 125	120	141	52	0.0057
VSR 150	145	162	62	0.0090

